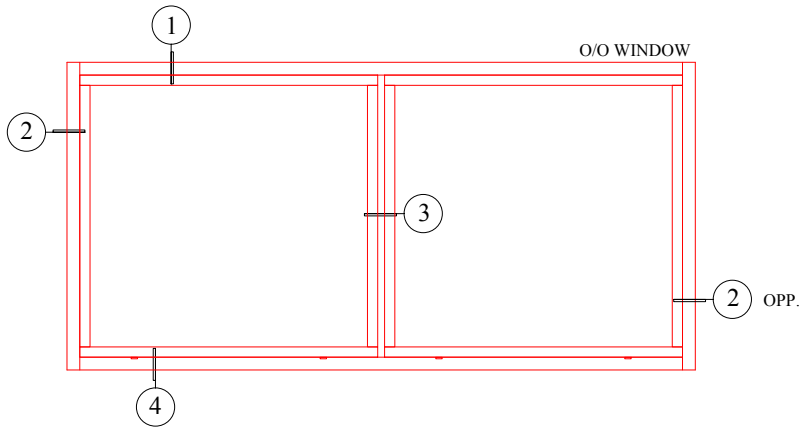


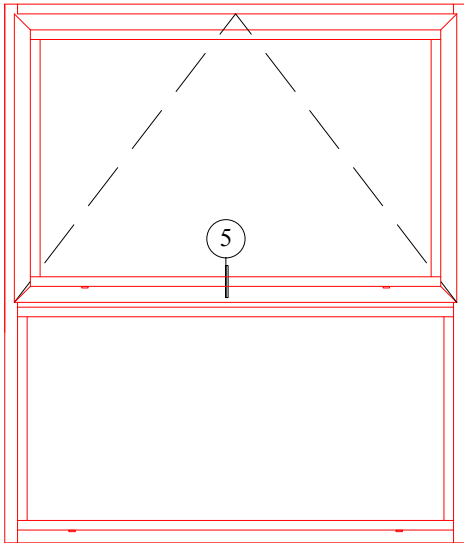
DETAILS



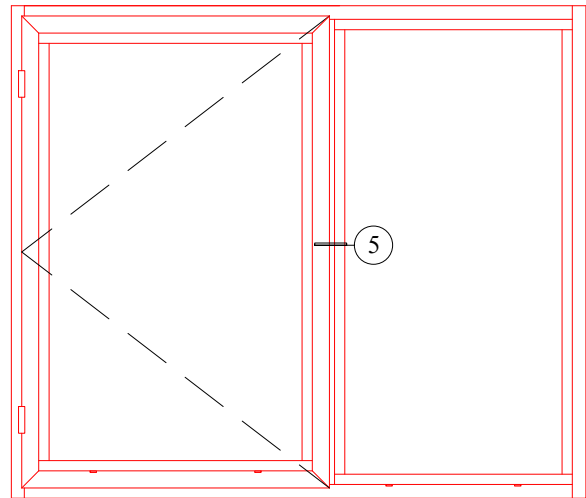
2000 Series Fixed
DATE REVISED: 09-23-2016



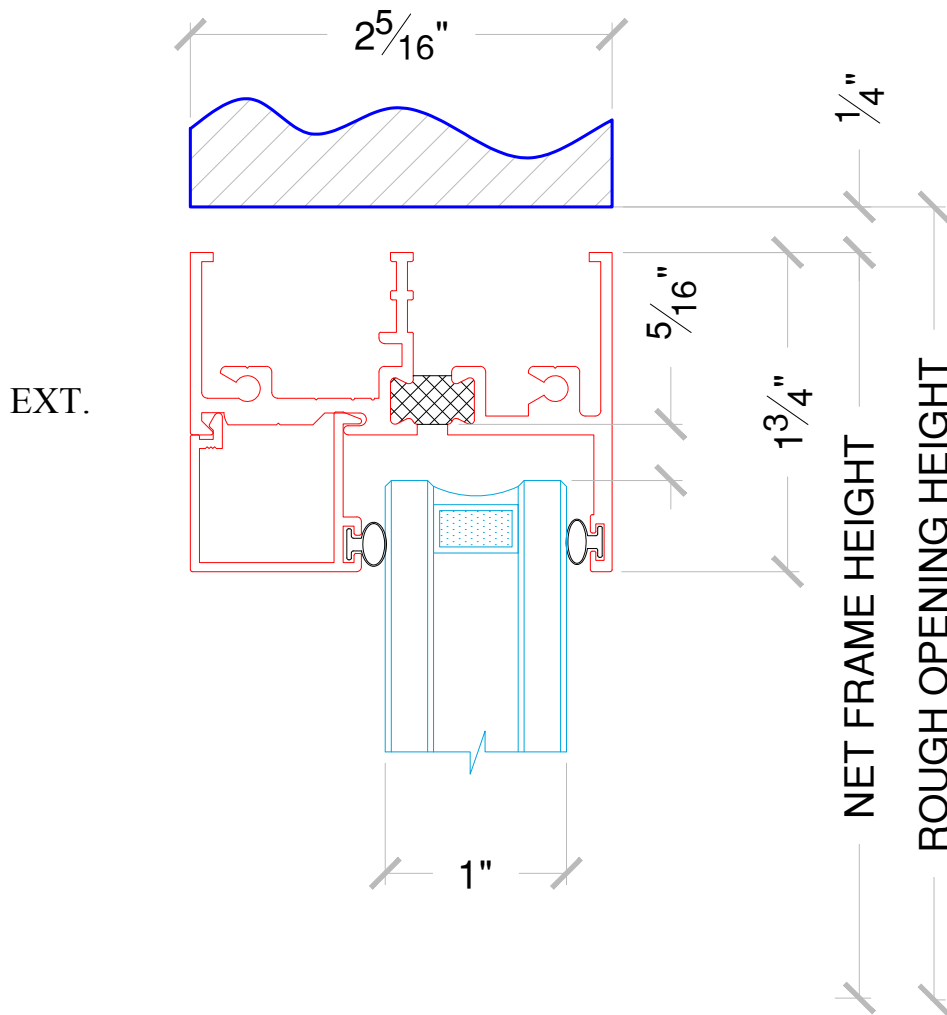
A/O WINDOW



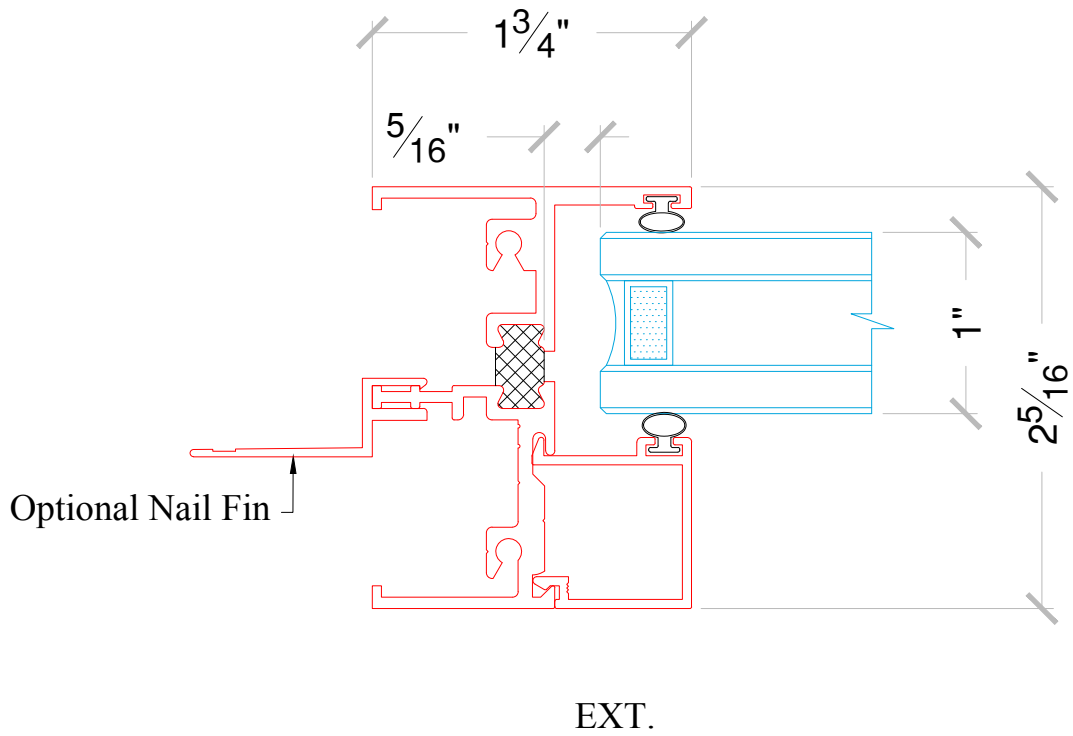
C/O WINDOW



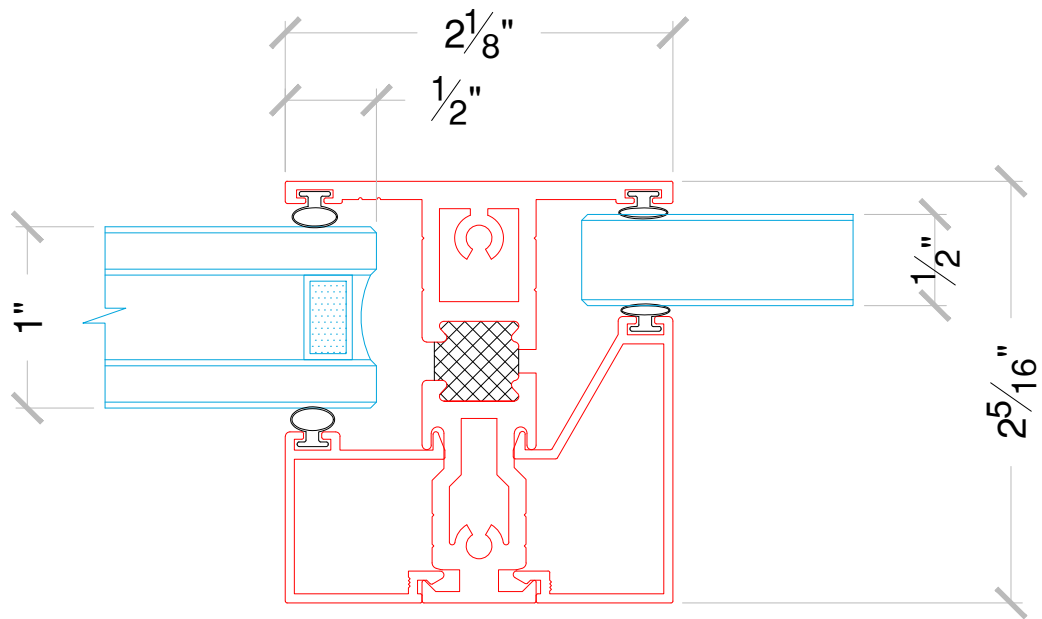
1 Fixed Head



2 Fixed Jamb

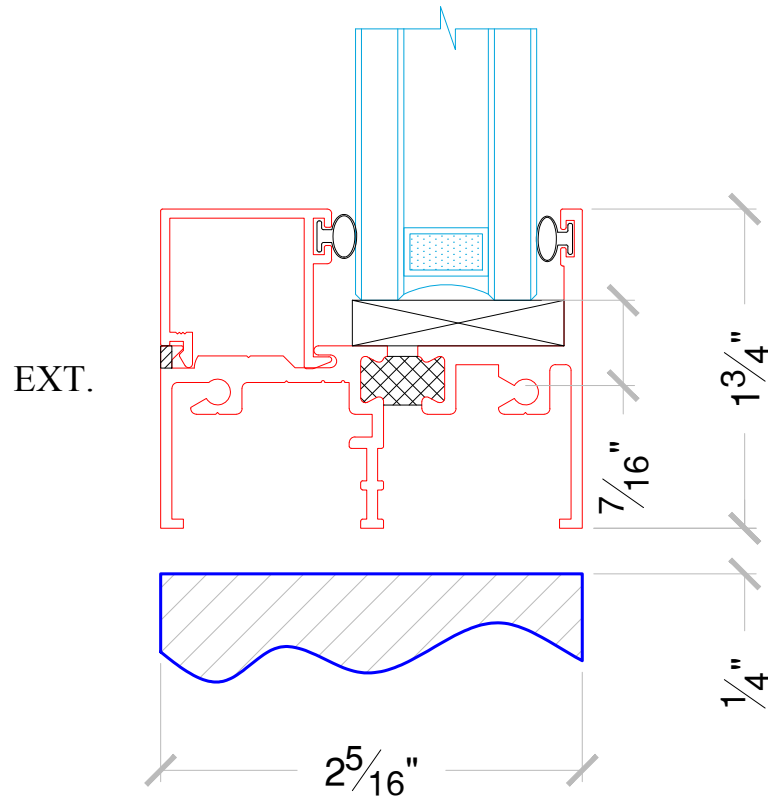


3 Intermediate



EXT.

4 Fixed Sill



5 Intermediate

