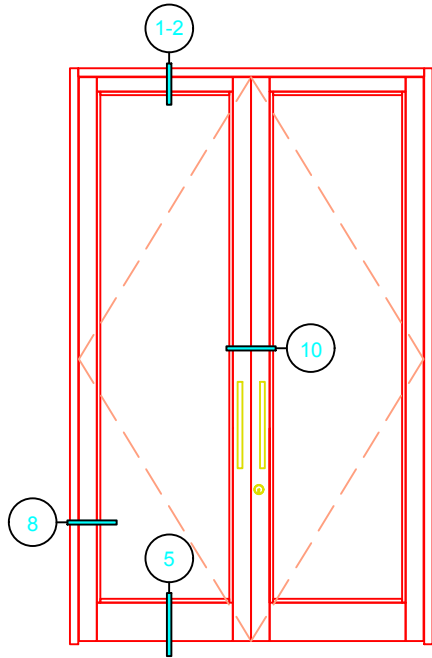
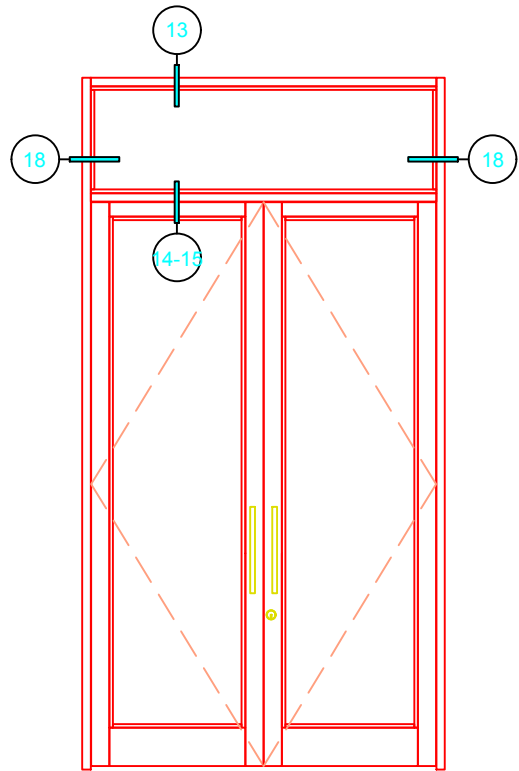


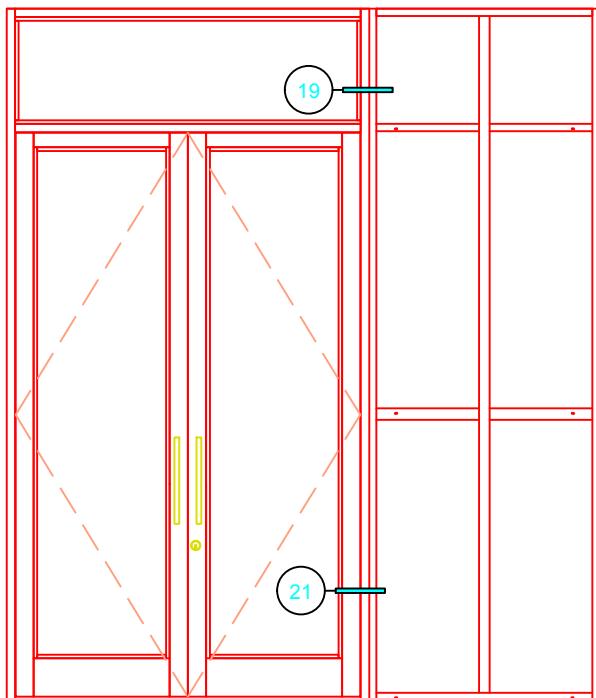
P.O.		LOCATION:		
DOOR NO.:		WIDTH (INCHES)	NET FRAME (INCHES)	
SERIES:	6000H - P - HINGED PAIR DOOR	RO	WIDTH	HEIGHT
DATE MODIFIED:	08-11-2016			



PAIR DOOR



PAIR DOOR W/ TRANSOM



PAIR DOOR W/ TRANSOM & SIDE LIGHT

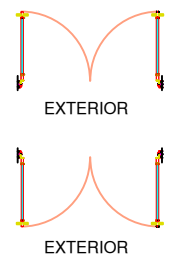
CONFIGURATION:

LOCK LOCATION

- LOCK ON LEFT
- LOCK ON RIGHT

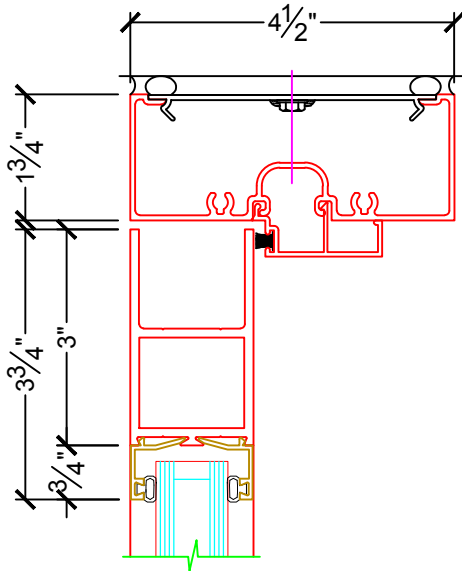
SWING DIRECTION

- SWING IN
- SWING OUT

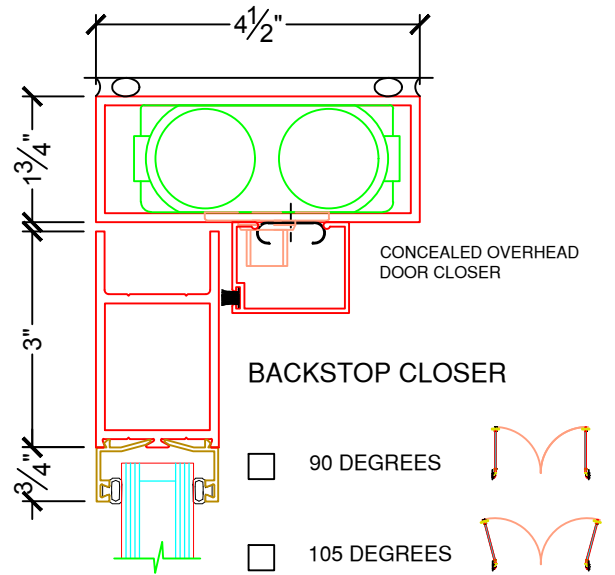


P.O.		LOCATION:		
DOOR NO.:		WIDTH (INCHES)	NET FRAME (INCHES)	
SERIES:	6000H - P - HINGED PAIR DOOR	RO	WIDTH	HEIGHT
DATE MODIFIED:	08-11-2016			

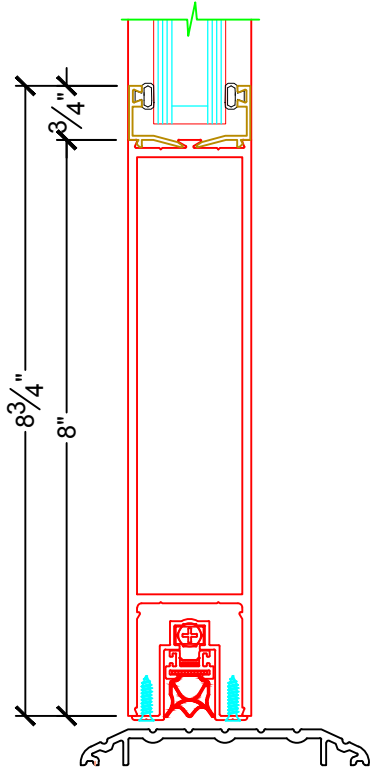
1



2

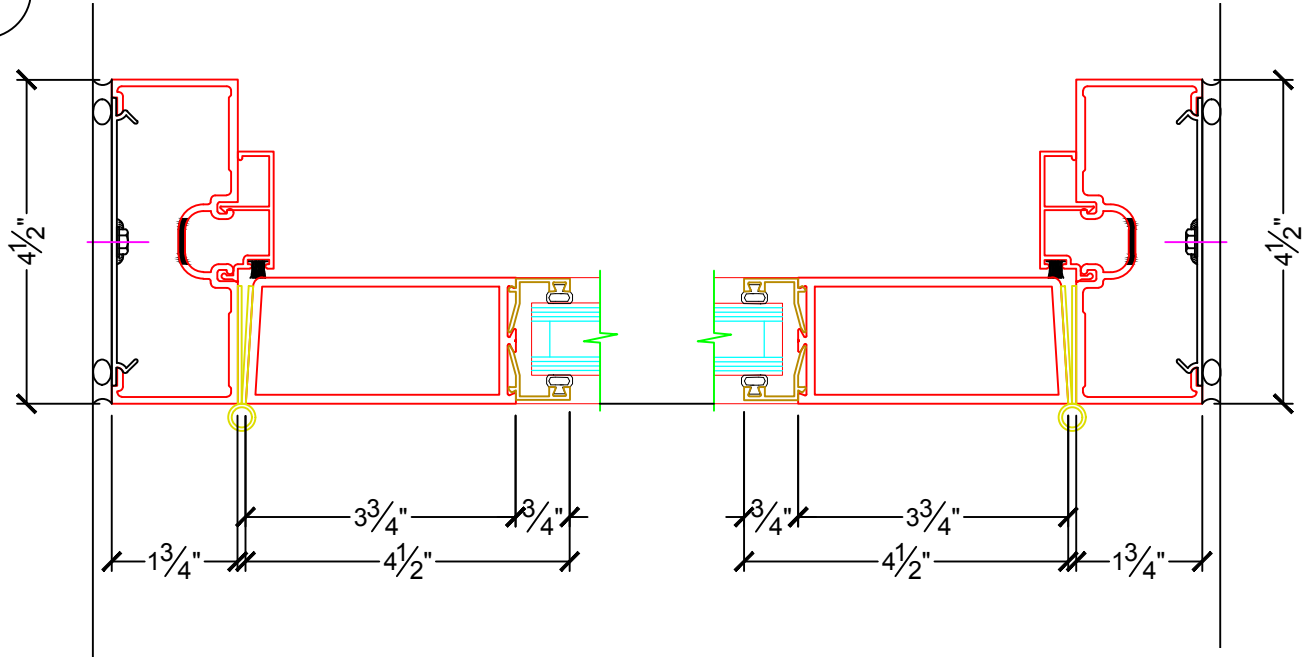


5

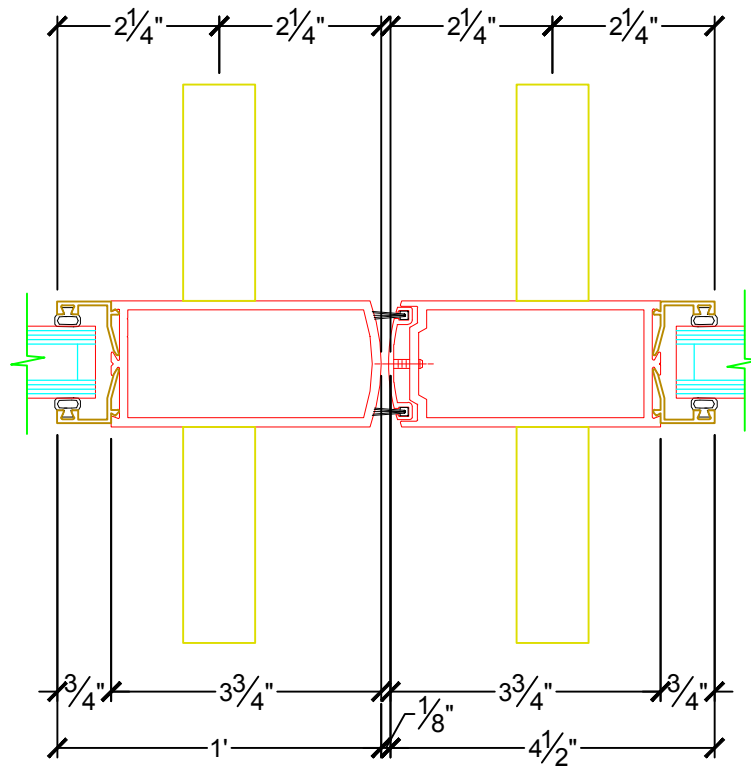


P.O.		LOCATION:		
DOOR NO.:		WIDTH (INCHES)	NET FRAME (INCHES)	
SERIES:	6000H - P - HINGED PAIR DOOR	RO	WIDTH	HEIGHT
DATE MODIFIED:	08-11-2016			

8

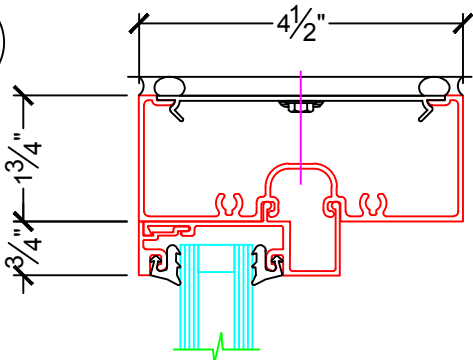


10



P.O.		LOCATION:		
DOOR NO.:		WIDTH (INCHES)	NET FRAME (INCHES)	
SERIES:	6000H - P - HINGED PAIR DOOR	RO	WIDTH	HEIGHT
DATE MODIFIED:	08-11-2016			

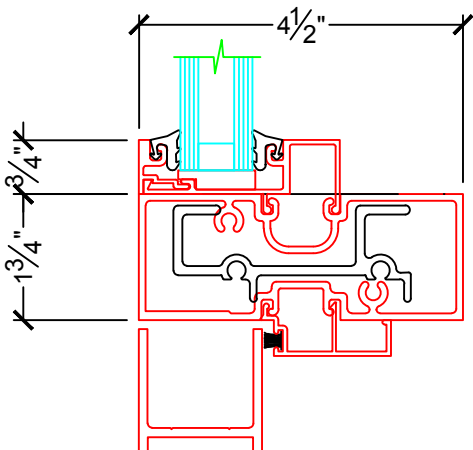
13



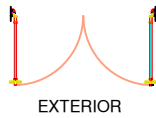
BACKSTOP CLOSER

- 90 DEGREES
- 105 DEGREES

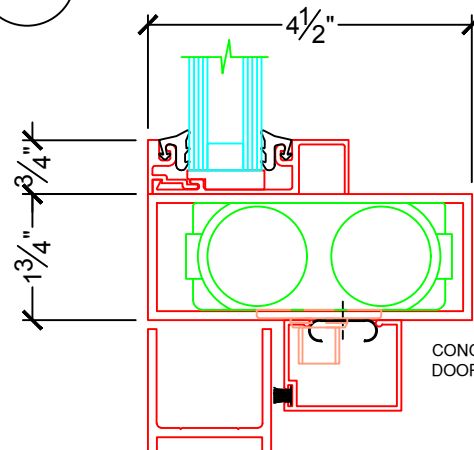
14-O



- SWING OUT ONLY

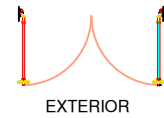


15-O

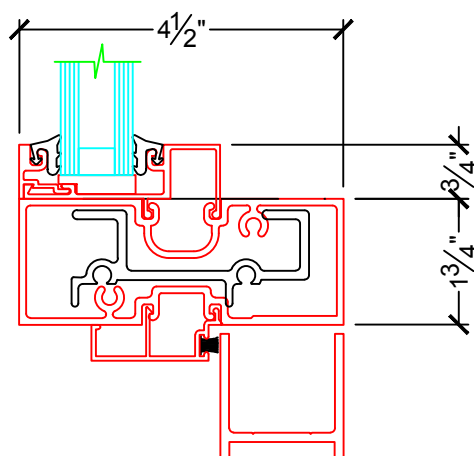


- SWING OUT ONLY

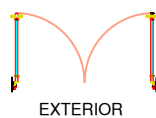
CONCEALED OVERHEAD DOOR CLOSER



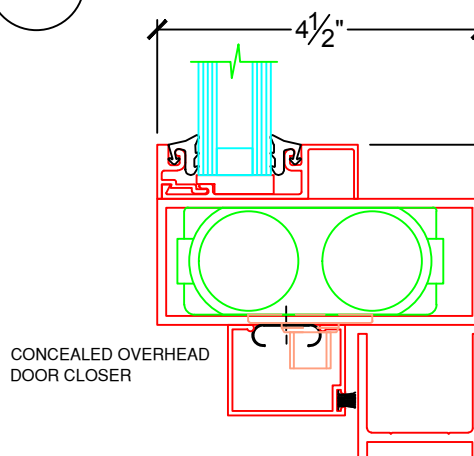
14-I



- SWING IN ONLY

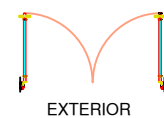


15-I



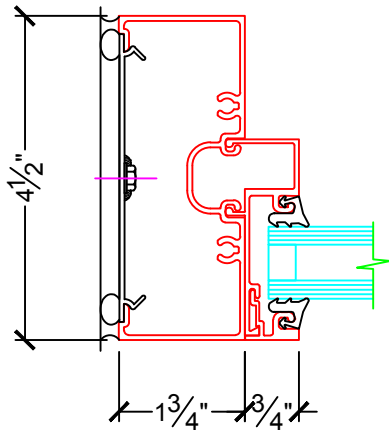
- SWING IN ONLY

CONCEALED OVERHEAD DOOR CLOSER

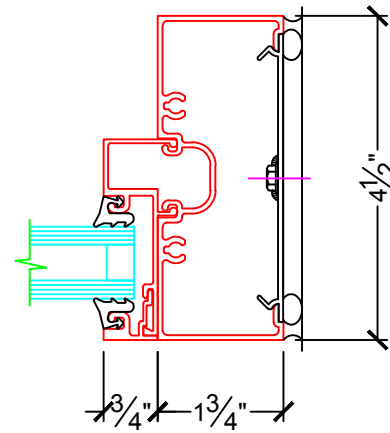


P.O.		LOCATION:		
DOOR NO.:		WIDTH (INCHES)	NET FRAME (INCHES)	
SERIES:	6000H - P - HINGED PAIR DOOR	RO	WIDTH	HEIGHT
DATE MODIFIED:	08-11-2016			

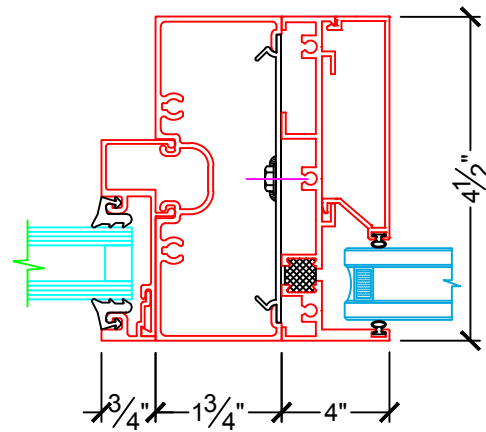
18



18

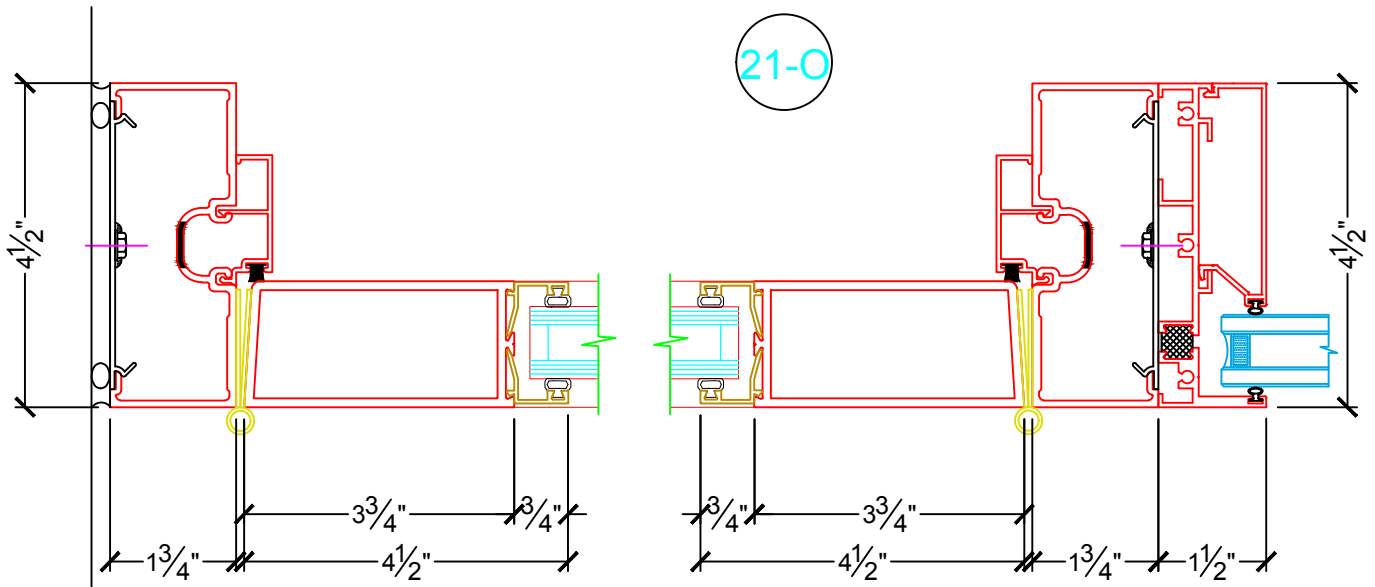


19



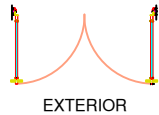
P.O.		LOCATION:		
DOOR NO.:		WIDTH (INCHES)	NET FRAME (INCHES)	
SERIES:	6000H - P - HINGED PAIR DOOR	RO	WIDTH	HEIGHT
DATE MODIFIED:	08-11-2016			

21-O

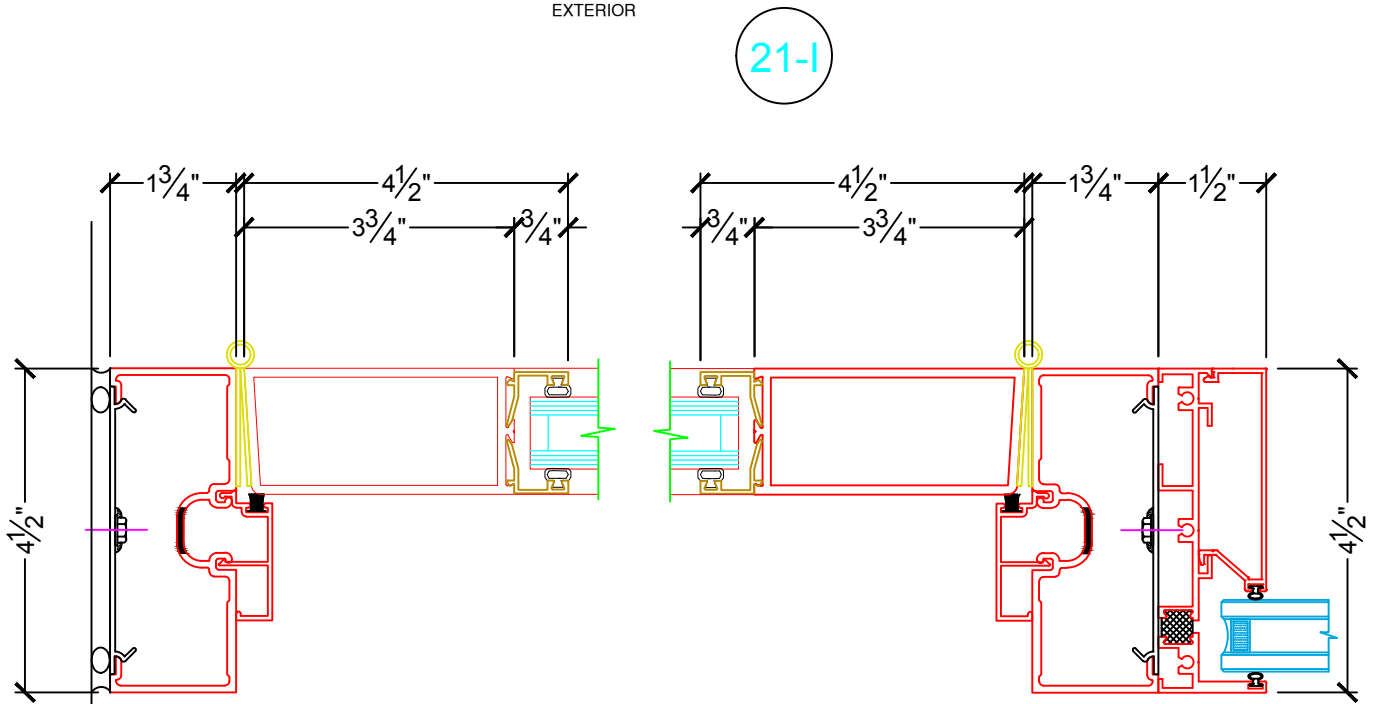


SWING DIRECTION

SWING OUT ONLY



21-I



SWING DIRECTION

SWING IN ONLY

